

# TRUE GAIN ANTENNAS

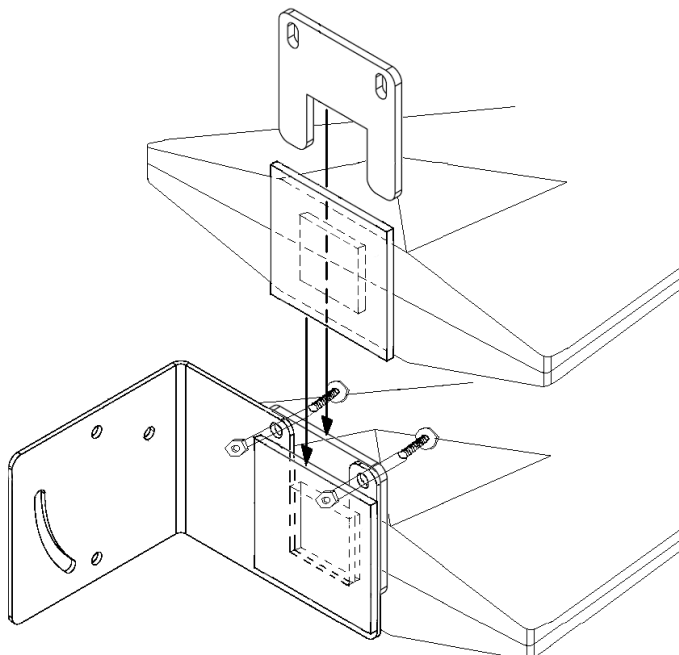
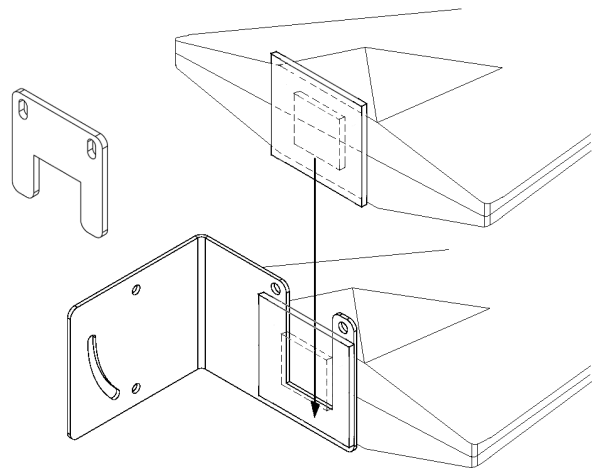
All The Signal...®

## Maxi-Position Mount™ Assembly & Use Instructions

### ASSEMBLY INSTRUCTIONS - PANEL ANTENNA

By mounting the mast bracket so the notched surface of the bracket is horizontal as shown in the following images, a panel antenna can be mounted on the mast bracket. With panel antennas, the side of the clamshell with the connector is the back of the antenna, and should face away from the desired target station.

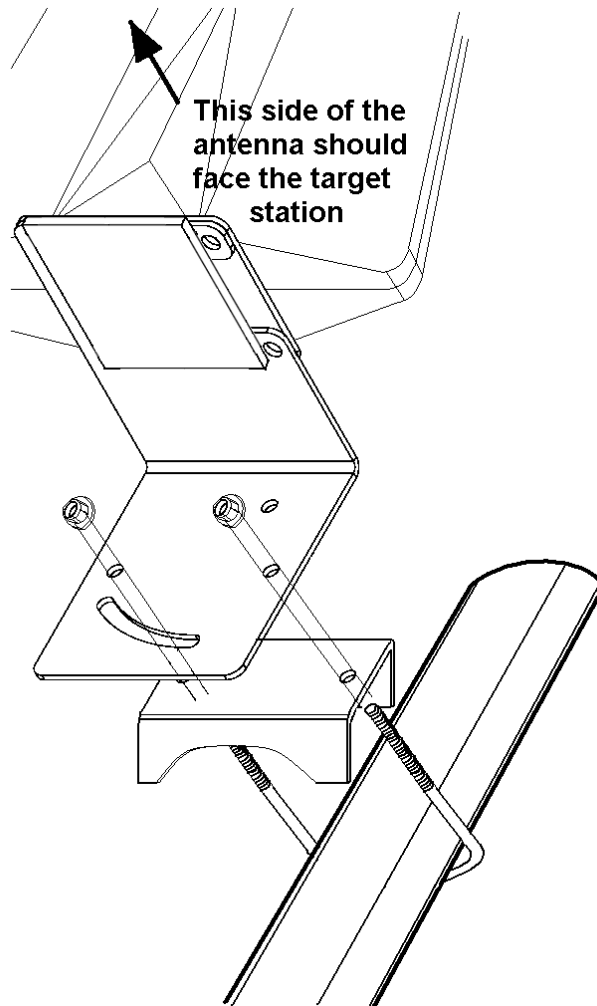
1. With the antenna oriented as desired, slide the antenna into the notch on the L-bracket, as shown below, then locate the spacer with the notch, shown below to the left, and the two screws and locknuts (U-bolt and nuts not shown below).
2. Slide the spacer between the back of the antenna and L-bracket, then insert the screws through the holes from the antenna side of the bracket, and secure with the nuts; see the below drawing.



**Clamshell Antenna mounted horizontally polarized on the L-bracket. Note that the coax pigtail and connector is on the bottom side of the antenna.**

Insert the U-bolt through the two holes in the center so that when slid over the mast, the antenna will be supported vertically, as shown below.

The connector side of the antenna should be on the mast side of the bracket, and is the back of the antenna. The other side of the antenna should face toward the desired target station.



**L-bracket mounted on mast with panel antenna. Note that the connector is on the other side of the panel. This side of the panel must be pointed toward the target station.**