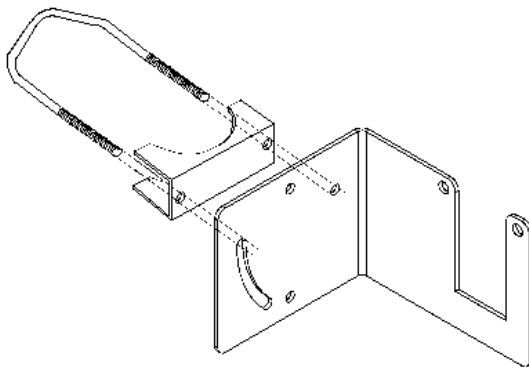


Maxi-Position Mount™ Assembly & Use Instructions

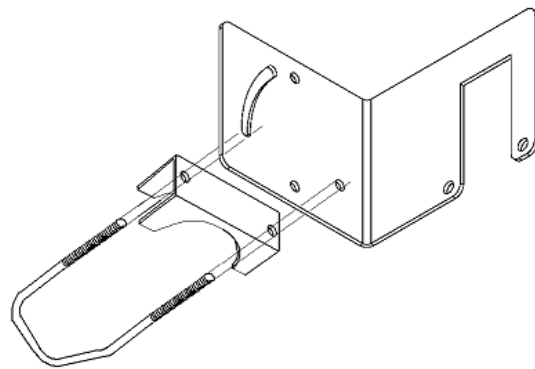
The Maxi-Position Mount can be used to mount the True Gain Antenna Housing in almost any configuration desired. The mount may be used vertically or horizontally polarized. A slot in the mount for the U-bolt to swivel within allows continuous attitude adjustment downward approximately 45° from the horizon. By reversing the mount, the antenna can also be pointed at the horizon or swiveled up about 45°.

ASSEMBLY INSTRUCTIONS - DIRECTIONAL ANTENNA

1. Determine whether it is desired to swivel the antenna upward or downward from the horizon; see the following illustrations.



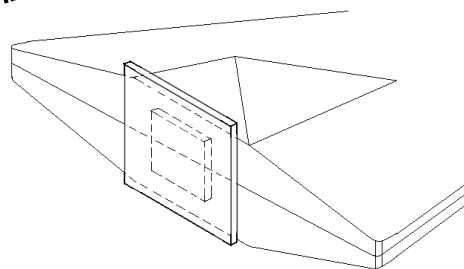
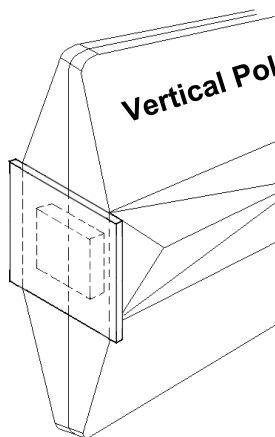
Orientation to allow aiming downward



Orientation to allow aiming upward

To swivel the antenna downward, choose the orientation shown on the left. To swivel the antenna upward, choose the orientation shown on the right. The U-bolt is assembled to the bracket using the same holes in either case (the other two holes are for mounting the bracket with panel antennas). Loosely install the U-bolt.

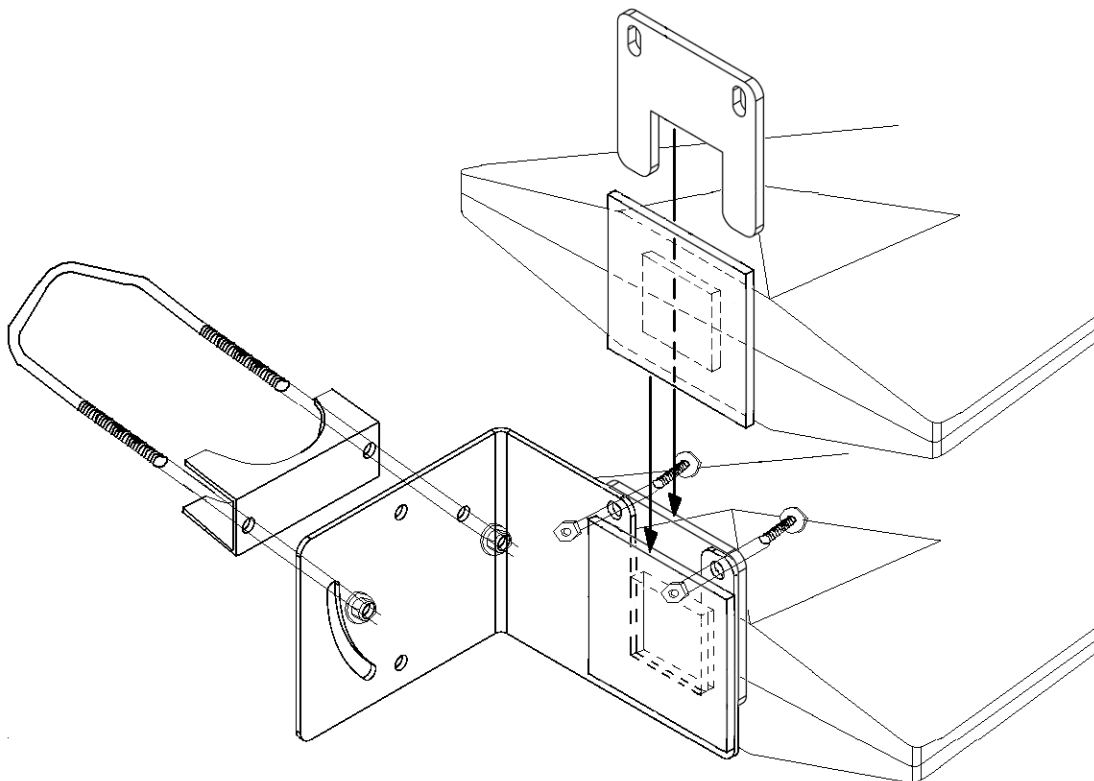
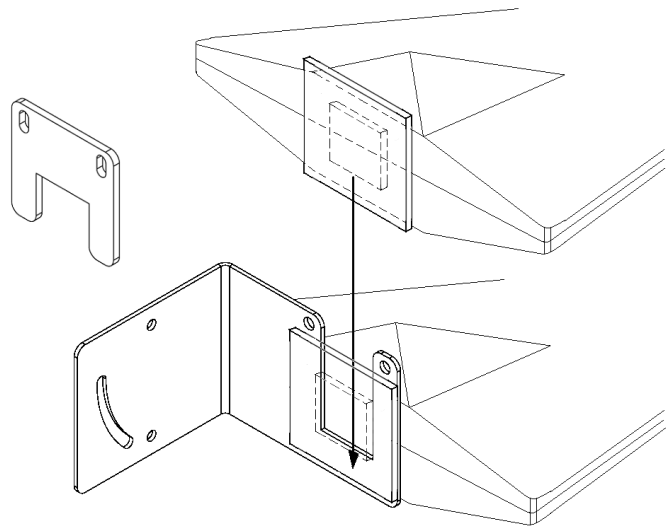
2. Determine whether the antenna is to be vertically or horizontally polarized. If vertically polarized, orient the antenna shell as shown on the left below, with the connector side of the antenna on the side of the L-bracket to which the mast will be bolted. If horizontal, orient the antenna as shown below to the right with the connector facing downward.



Horizontal Polarization

With the antenna oriented as desired, slide the antenna into the notch on the L-bracket, as shown at right, then locate the spacer with the notch, shown below to the left, and the two screws and locknuts (U-bolt and nuts not shown below).

4. Slide the spacer between the back of the antenna and L-bracket, then insert the screws through the holes from the antenna side of the bracket, and secure with the nuts; see the below drawing.



Clamshell Antenna mounted horizontally polarized on the L-bracket. Note that the coax pigtail and connector is on the bottom side of the antenna.

5. Install the completed antenna assembly onto the mast, pointing the antenna in the desired direction. Connect the feedline to the antenna, sealing the connector and feedline against moisture ingress with a weatherproof tape or CoaxSeal™.