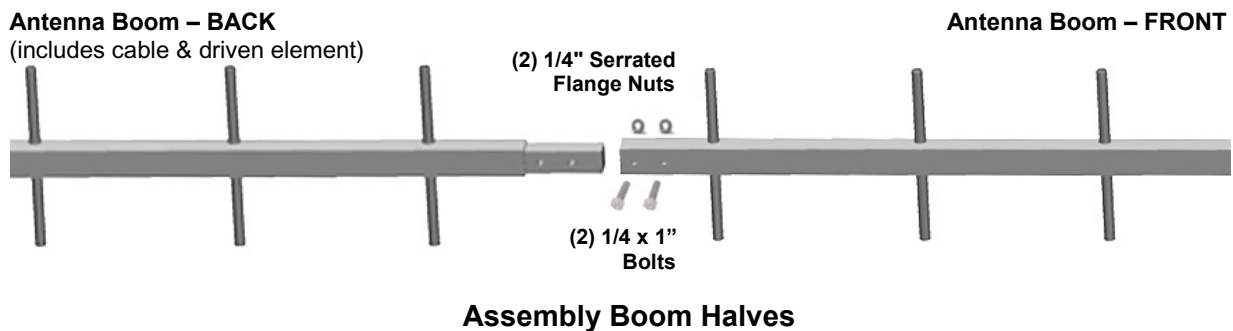


# TRUE GAIN ANTENNAS

All The Signal...™

## Model TG-Y915-17 Yagi Antenna Assembly Instructions

1. Unpack the antenna and hardware.
2. Check hardware contents against parts list found on the last page.
3. The TG-Y915-17 has two separate boom sections that are to be bolted together using two bolts and nuts as illustrated below.

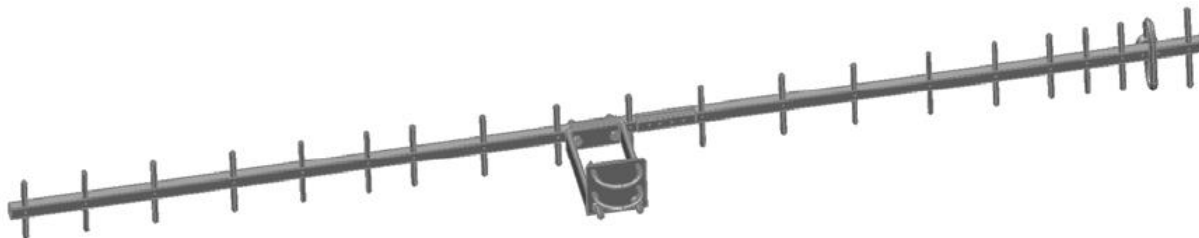


*\* If OPTIONAL element end-caps are included, firmly press the provided end-caps into each of the open-ended element tubes.*

- **VERTICAL** polarization installation: Follow steps 4 through 7 below.
- **HORIZONTAL** polarization installation: Follow steps 8 through 10 below.

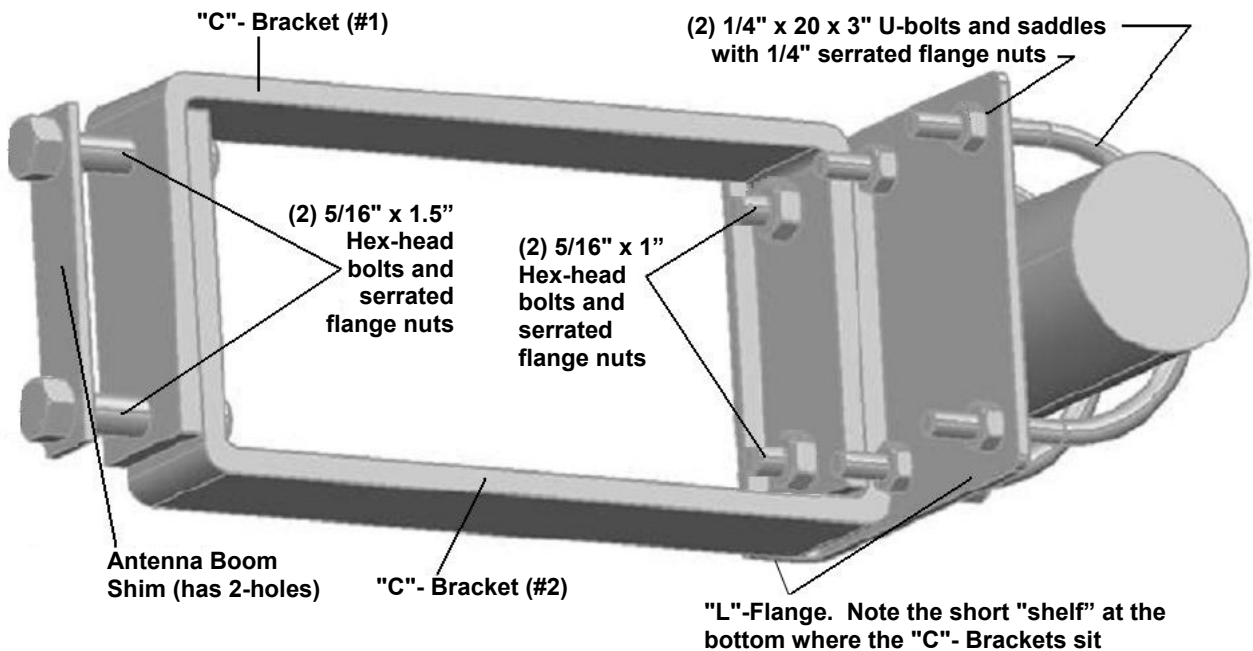
### **- V E R T I C A L - polarization installation:**

When the antenna has been properly mounted vertically-polarized to the mast using the "C"-Brackets and "L"- Flange, it should look like the following (mast not shown).



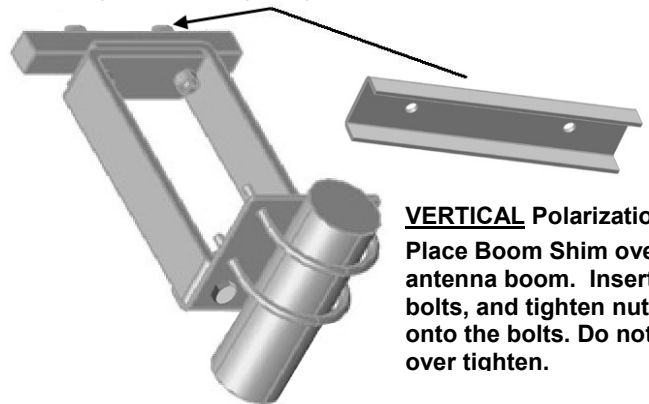
### **VERTICAL Polarization: Complete TG-Y915-17 Antenna Mounted Vertically**

- Guided by the diagram below, overlap the two "C" shaped brackets so that their two bolt holes line up with each other and the brackets together form a rectangle. Now, place these "C"- Brackets on the short "shelf" of the "L"- Flange. The bracket and flange bolt holes should all line up. Next, insert two 5/16" x 20 bolts through the "L"- Flange, then place 5/16" serrated nuts over the ends of the bolts and tighten finger tight.



**VERTICAL Polarization: Detail of Antenna Mounting to "C"-Brackets & "L"-Flange Mast Clamp**

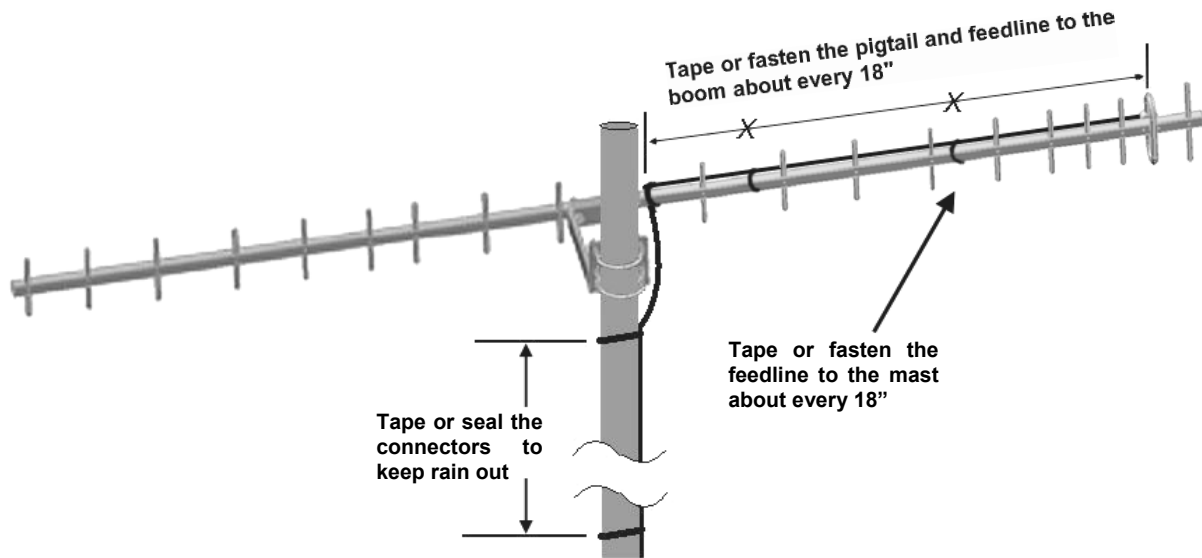
- Guided by the below right diagram, place the antenna boom against the end of the "C"- Brackets with the Boom Shim over the antenna (2-holes aligned). Insert two 5/16" x 20 bolts through the boom shim, through the boom, and then through the "C"-brackets. Place 5/16" serrated nuts over the ends of the bolts and tighten finger tight. When the brackets and boom are aligned properly, fully tighten Boom Shim, then the "L"- Flange nuts.



- Install the assembled antenna with brackets and flange to a mast using the two U-bolts and "L"- Flange with the 1/4" serrated nuts. Be sure to point the antenna in the desired direction before tightening the nuts. Looking down the boom from the back (the driven element end), aim the antenna at the desired location and tighten the nuts on the U-bolts.

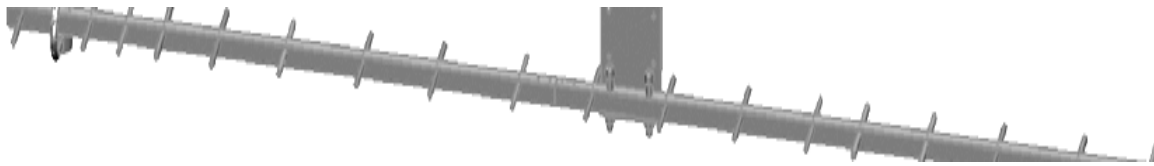
- Tape or fasten cable to the boom about 18 inches away from the feedpoint (i.e., the antenna's driven element). Next, connect your feedline that is coming up the mast to the antenna's cable connector. Then, to keep rain out, waterproof the connectors using Coax-Seal®, good electrical tape, or other appropriate means. Lastly, tape or fasten

your feedline from the mast to the boom every 18 inches, and every 18 inches all the way down the mast. See illustration below.



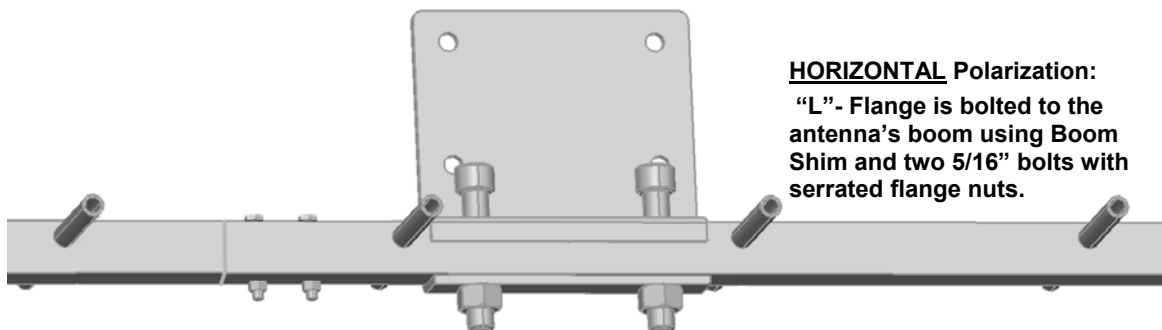
### - HORIZONTAL - polarization installation:

When the antenna has been properly mounted to the "L"- Flange for horizontal polarization, it should look like the following.



### HORIZONTAL Polarization: Complete TG-Y915-17 Mounted Horizontally

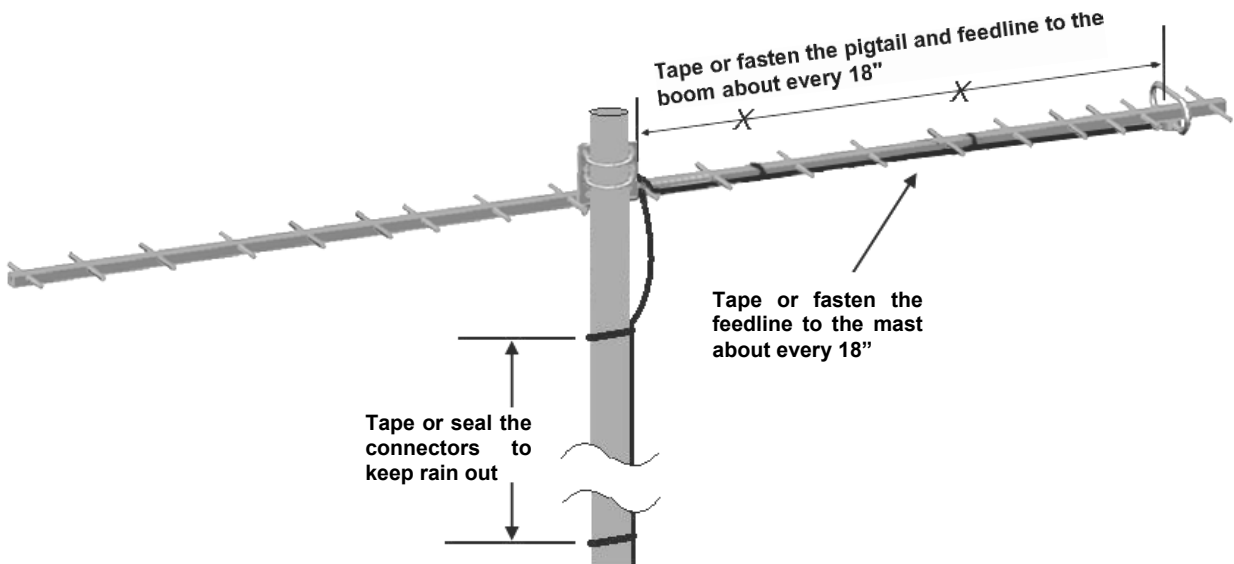
- Guided by the above and below illustrations, place the assembled antenna boom on the short "shelf" of the "L"- Flange. Make certain that the driven element (the loop element) is positioned as shown (the cable will be on the bottom of the mounted antenna). Next, place Boom Shim over top of the antenna boom with the 2-holes lined-up on the Boom Shim, boom, and L-Flange. Insert two 5/16" x 20 bolts through the top of the boom. Place 5/16" serrated nuts over the bolt ends, and securely tighten. (Note that with horizontal mounting, two 5/16" bolts, nuts, and "C"-brackets are not used).



**HORIZONTAL Polarization:**  
 "L"- Flange is bolted to the antenna's boom using Boom Shim and two 5/16" bolts with serrated flange nuts.

### HORIZONTAL Polarization: "L"-Flange Mast Clamp Mounted to Antenna

9. Lay the "L"-flange against the pole mast and insert the U-bolts. Thread 1/4" serrated flange nuts onto each U-bolt. Do not tighten the nuts until the antenna has been pointed in the desired direction.
10. Tape or fasten cable to the boom about 18 inches away from the feedpoint (i.e., the antenna's driven element). Next, connect your feedline that is coming up the mast to the antenna's cable connector. Then, to keep rain out, waterproof the connectors using Coax-Seal®, good electrical tape, or other appropriate means. Lastly, tape or fasten your feedline from the mast to the boom every 18 inches, and every 18 inches all the way down the mast. See illustration below.



### Model TG-Y915-17 Parts List

<u>QUANTITY</u>	<u>DESCRIPTION</u>
1	Antenna Boom – Back (includes driven element and cable)
1	Antenna Boom – Front
1	Boom Shim
2	"C"-Brackets ( <b>used <u>only</u> with VERTICAL mounting</b> ) (made of Galvanneal G90)
1	"L"-Flange (made of Galvanneal G90)
2	1/4" x 1" Hex Head Bolts
2	1/4" - 20 x 3" U-Bolts
2	1/4" x 3" U-Bolt Saddle
6	1/4" Serrated Flange Nuts
2	5/16" x 1" Hex Head Bolts
2	5/16" x 1.5" Hex Head Bolts
4	5/16" Serrated Flange Nuts